



# KEY ELEVATORS

**GET READY TO RISE**





# KEY ELEVATORS

**GET READY TO RISE**



**KEY ELEVATORS** is a company which speaks volumes about our management standards. Each product undergoes stringent testing by our highly qualified in-house engineers. The company started its operations in 2017. Today, Key Elevators is one of the leading providers of elevators, and is active in the areas of production, installation, maintenance and modernization of Elevators. Key Elevators is one of the fastest growing organisation, nationally. It's innovative and environment-friendly access and transit-management system makes an important contribution to mobility in urban societies.

Our expertise allows us to offer a comprehensive range of ELEVATORS for our clients. These products are fabricated using high-quality raw material, including stainless steel. Our products are specially used for the vertical transportation for relatively low traffic private apartments, complexes, villas, residential buildings, car showrooms and service stations, our products are considered ideal. Clients can avail from us the wide range of elevators at most reasonable prices.



## SERVICES

### SALES

Key elevators focus on providing customized solution for Elevators in metropolitan and regional areas. Sales feature a strong background in lift manufacturing, enabling it to supply a good range of imported lift solutions through to individually designed lifts for home, residential and commercial applications.

### INSTALLATION

To ensure optimal operation, the elevator system requires installation, commissioning, testing & inspection of Elevator at defining stages. The technical team at Key Elevators makes sure the installation of the Elevator is per the specification and design standard.

### MAINTENANCE

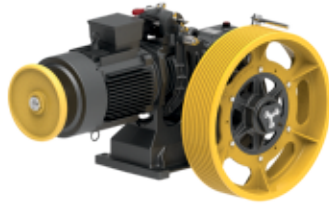
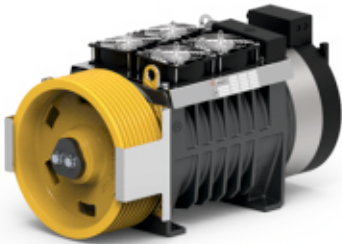
Elevator maintenance plans help avoid costly, large repairs, and replacements of elevator parts, which ultimately saves our customers money and avoids problematic breakdowns, which cause elevator downtime. Our elevator maintenance plans are specifically designed to keep the running cost at a minimum cost.

### MODERNIZATION

Key Elevators Provides elevator modernization, the process of upgrading the critical parts of the elevator so as for it to be ready to handle new technology, have better performance, improve safety, and even give the aesthetics an up-to-date appeal.



**Montanari Group**  
GEARLESS & GEARBOX  
TRACTION MACHINES



**Bharat Bijlee**



**TECTRONICS**

Power of Smart Engineering



**SHARP**  
ENGINEERS



**usha martin**

ARD (Automatic  
Rescue Device)

Guide Rill

Car And CWT  
Frame

Overspeed  
Governor



Guide Shoe

Buffer Spring

GP Bracket

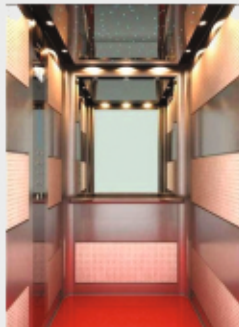
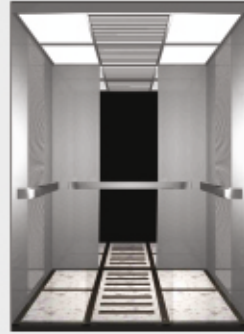
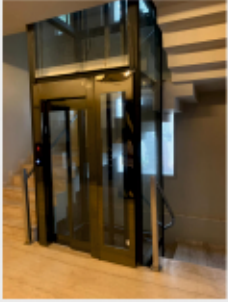
Safety Block

Door Lock

Door Sensor

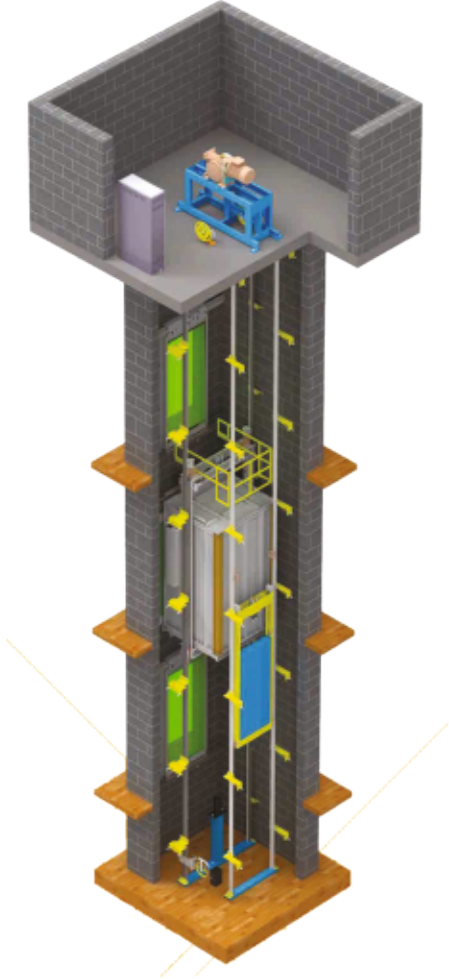


# Car Designer Cabin - Designs & Patterns



**TRACTION LIFT SYSTEM**

**Accessories That Compliment The Elegant Life Style**



SE-LOP-01



SE-LOP-02



SE-01



SE-LOP-03



SE-LOP-04



SE-02



SE-W-01



SE-W-02



SE-K-01



SE-W-03



SE-W-04



SE-K-02



**2** **↑** Assembled button  
SE-L-1 COP & LOP

SE-COP-W-2

SE-COP-W-3

**Fermator**  
AUTOMATIC DOORS FOR LIFTS



**Fermator**  
AUTOMATIC DOORS FOR LIFTS



**Fuji Electric**

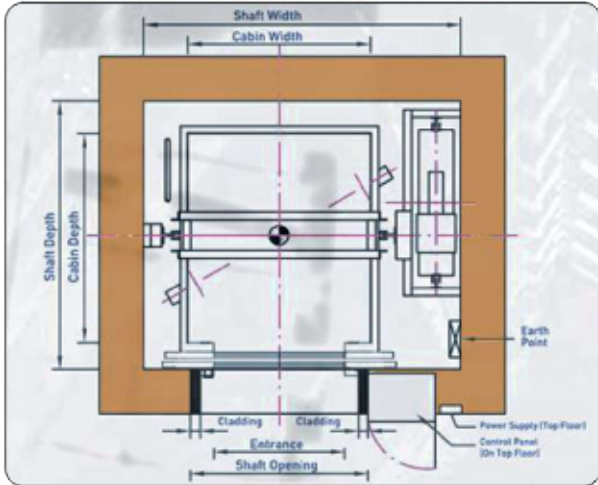


**ADCOS** **ADCO CONTROLS**  
Mfg. of Elevator Control Systems

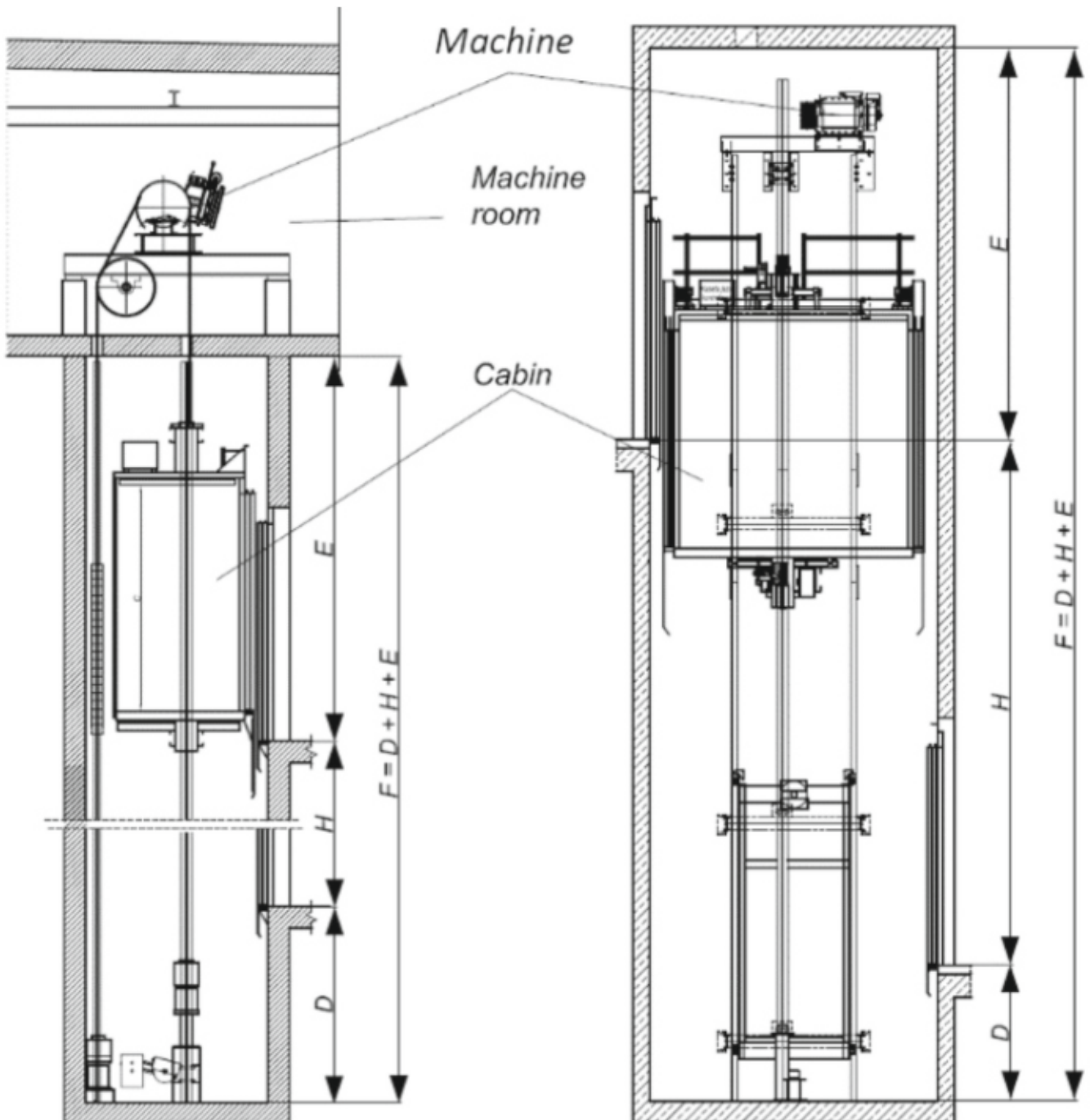
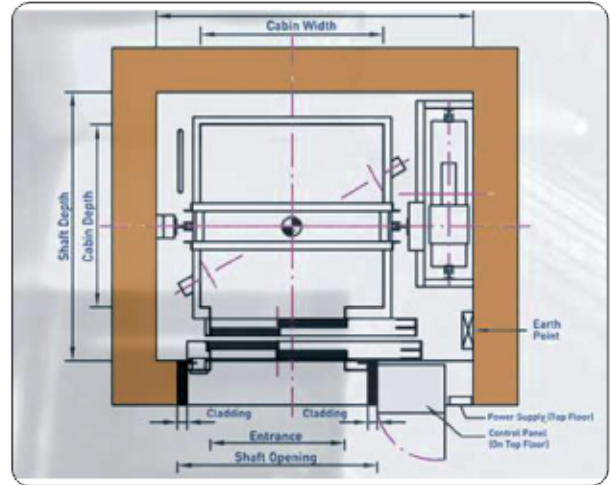


**Monarch**

## Lift Well Plan (Center Opening Doors)



## Telescopic (Side Opening Doors)





**KEY ELEVATORS**  
GET READY TO RISE



## REACH US

7/127 Ground Floor, Ramesh Nagar, New Delhi - 110015  
Mob. +91-9999460613, +91-8448869905, +91-9871210121

E-mail [info@keyelevators.in](mailto:info@keyelevators.in)

[keyelevators2021@gmail.com](mailto:keyelevators2021@gmail.com)

Web. [www.keyelevators.in](http://www.keyelevators.in)